

TYPE CTS



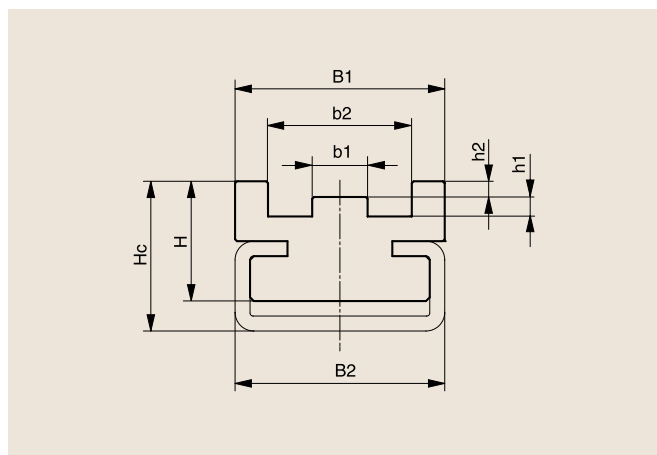
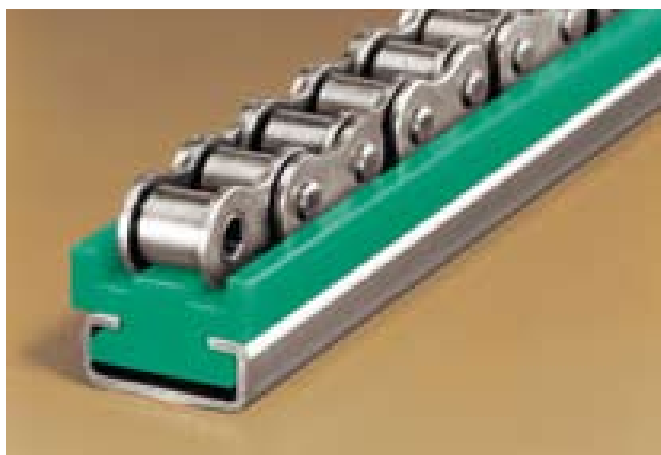
DIN 8187 chain no.	Chain dimensions in inches	C profile type	B1	B2	H	Hc	b1	b2	h1	h2	Article no.	Availability
06B-1	3/8" x 7/32"	C3	20	20	14	17	3.8	13.0	1.5	1.1	221 310 001 351 020 003	● ●
083-1	1/2" x 3/16"	C3	20	20	14	17	3.0	12.4	1.6	1.4	221 310 002 351 020 003	○ ○
085-1	1/2" x 1/4"	C3	22	20	14	17	4.5	15.1	2.2	1.6	221 310 003 351 020 003	○ ○
08B-1	1/2" x 5/16"	C3	25	20	16	20	5.7	16.3	2.2	1.6	221 310 004 351 020 003	● ●
-	5/8" x 1/4"	C3	25	20	16	20	4.1	16.1	2.6	2.1	221 310 005 351 020 003	○ ○
10B-1	5/8" x 3/8"	C5	28	28	16	20	7.4	19.2	2.6	2.1	221 310 006 351 020 005	● ●
12B-1	3/4" x 7/16"	C5	30	28	18	22	9.2	21.8	2.4	2.8	221 310 007 351 020 005	● ●
16B-1	1" x 17mm	C9	42	38	25	30	15.0	35.0	3.5	3.3	221 310 008 351 020 009	● ●
20B-1	1 1/4" x 3/4"	C9	50	38	30	35	16.8	40.0	4.2	4.0	221 310 009 351 020 009	● ●

● Stocked ○ Available within 10 days Dimensions in mm

TIPO CTS-A (cadena embutida)

DIN 8187 chain no.	Dimensiones cadena en pulgadas	Tipo Perfil C	B1	B2	H	Hc	b1	b2	h1	h2
06B-1	3/8" x 7/32"	C3	25	15	15	18	5,4	15	1,5	4,4
08B-1	1/2" x 5/16"	C3	30	20	25	27	7,4	20	2,2	7,2
10B-1	5/8" x 3/8"	C5	33	23	30	32	9,2	23	2,6	9,5
12B-1	3/4" x 7/16"	C5	38	28	35	40	11,3	28	2,4	11,1
16B-1	1" x 17mm	C9	51	41	40	45	16,5	41	3,5	16,5

Dimensiones en mm



Tipo CTS