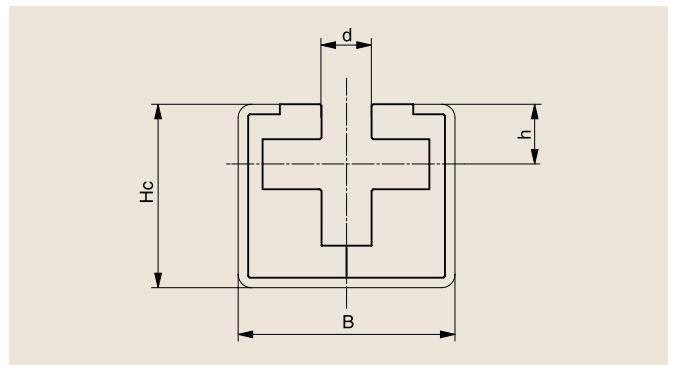


TYPE CRG



Nominal thickness d. DIN 766/764	C profile type	B	Hc	d	h	Article no.	Availability
6	C11	45	40	7.0	8.0	231 110 009	●
						351 020 011	●
8	C11	45	40	9.5	9.5	231 110 010	●
						351 020 011	●
10	C13	65	55	11.5	14.0	231 110 011	●
						351 020 013	●
13	C13	65	55	15.0	18.0	231 110 012	●
						351 020 013	●

● Stocked ○ Available within 10 days Dimensions in mm



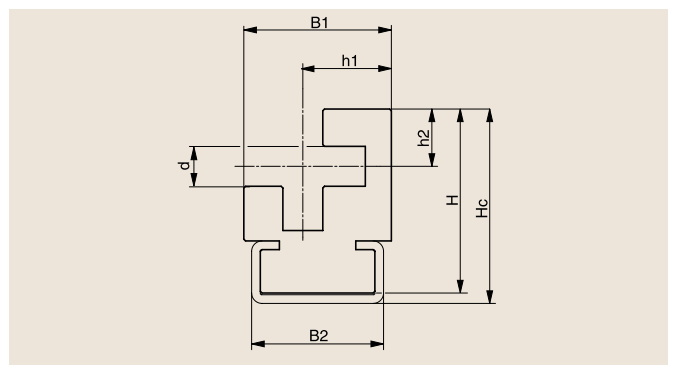
CHAIN GUIDES FOR ROUND LINK CHAINS

TYPE CRO



Nominal thickness d. DIN 766/764	C profile type	B1	B2	H	Hc	d	h1	h2	Article no.	Availability
6	C3	27.0	20	32	34	7.0	17.5	10.5	231 110 001	●
									351 020 003	●
8	C5	32.0	28	39	42	9.5	20.5	12.5	231 110 002	●
									351 020 005	●
10	C9	42.5	38	53	56	11.5	25.5	16.5	231 110 003	●
									351 020 009	●
13	C12	60.0	60	67	70	15.0	33.5	20.5	231 110 004	●
									351 020 012	●

● Stocked ○ Available within 10 days Dimensions in mm For round link chains that do not comply with DIN 766 or DIN 764 please specify dimensions.



CHAIN, BELT, AND SLIDING GUIDES