

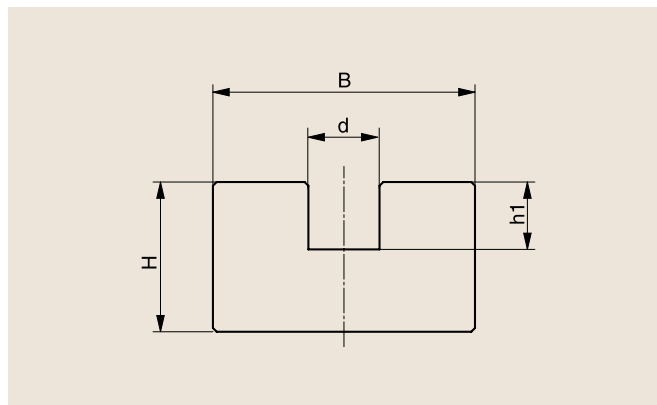
Chain guides for round link chains as per DIN 766/764

TYPE R



Nominal thickness d, DIN 766/764	B	H	d	h1	Article no.	Availability
6	30	15	7.0	7	231 010 001	●
8	38	20	9.0	9	231 010 002	●
10	45	25	11.5	11	231 010 003	●
13	55	30	15.0	15	231 010 004	●

● Stocked ○ Available within 10 days Dimensions in mm



TYPE CRU



Nominal thickness d, DIN 766/764	C profile type	B1	B2	H	Hc	d	h1	Article no.	Availability
6	C5	30	28	14	18	7.0	7	231 110 005	●
			35					351 020 005	●
8	C9	38	38	18	25	9.5	9	231 110 006	●
			45					351 020 009	●
10	C9	45	38	18	28	11.5	11	231 110 007	●
			45					351 020 009	●
13	C12	60	60	25	33	15.0	15	231 110 008	●
			60					351 020 012	●

● Stocked ○ Available within 10 days Dimensions in mm For round link chains that do not comply with DIN 766 or DIN 764 please specify dimensions.

