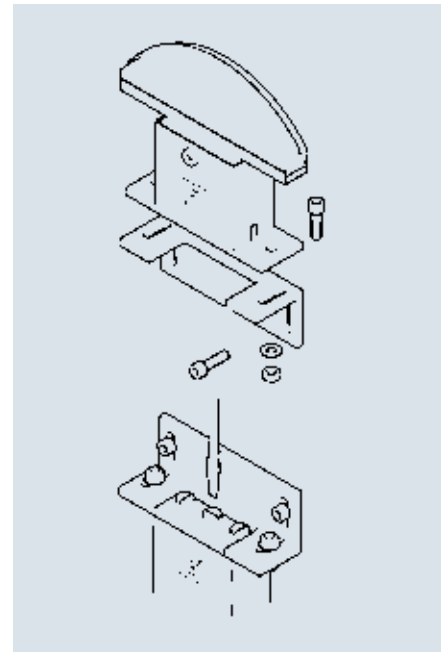


# MOUNTING BRACKETS FOR SPANN-BOX® SIZES 1 AND 2

## The ideal assembly aid

We offer various mounting brackets to make assembly more easy. They provide additional modification/adjustment flexibility. Elongated mounting holes allow easy adjustment if the normal tension distance has already been used up. Alignment errors can be corrected by side movement.

**We are happy to provide detailed assembly instructions for all our systems. Simply contact us or see our Web site at [www.murtefeldt.com](http://www.murtefeldt.com).**



| Corresponding size | Adjustment range | Material             | Article no. | Availability |
|--------------------|------------------|----------------------|-------------|--------------|
| 1                  | 67mm             | St 37, powder-coated | 281 090 001 | ●            |
| 2                  | 75mm             | St 37, powder-coated | 281 090 002 | ●            |
| 1                  | 67mm             | 1,4301 (V2A)         | 281 090 029 | ○            |
| 2                  | 75mm             | 1,4301 (V2A)         | 281 090 030 | ○            |

● Stocked ○ Available within 10 days

