

Paso de 63.5 mm (2.50 pulgadas)



uni XLB M2 – La banda más fuerte del "uni-verso"

La banda de tramo recto y paso 2.5 pulgadas uni XLB M2 se diseñó para transporte de productos pesados. Es la banda perfecta como sustituta de las cadenas de charnela de acero, cadenas de arrastre y otras tecnologías que se venían utilizando para un desgaste alto o aplicaciones pesadas.

Las bandas uni XLB M2 (Cerrada, Rugosa y en Forma de V) han mejorado su funcionamiento en las siguientes industrias/ aplicaciones:

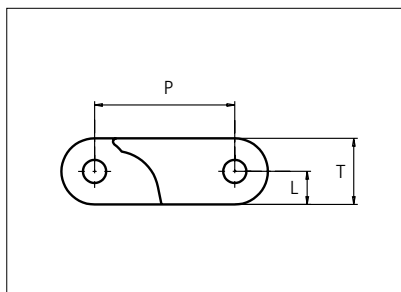
- Automóvil, incluyendo bandas transportadoras de palés, transporte de personas, bandas transportadoras de automóviles, túneles de estanqueidad
- Lavado de coches, incluyendo el lavado y la limpieza interior
- Manipulación de material como movimiento de palés y rollos grandes de papel
- Cárnica (ternera y cerdo), incluyendo líneas de cuelgue y distribución de piezas

Características del producto y ventajas de funcionamiento:

- No necesita lubricación
- Requiere menos potencia, gracias a sus materiales de baja fricción
- Reducción de tiempos muertos, gracias a su fácil mantenimiento
- Bajo nivel de ruido
- Extremadamente resistente al desgaste y los impactos
- Sistema de engranaje único que reduce el efecto pulsante en transportadores largos
- Superficie rugosa, reduce el deslizamiento y permite movimientos seguros

Plastic Modular Belt

Series **uni XLB** Type **M2 C**



Straight running belt
 Nominal pitch: 63.5 mm (2.50 in)
 Surface type: Flat
 Surface opening: Closed
 Backflex radius: 100.0 mm (3.90 in)
 Pin diameter: 10 mm (0.39 in)

Belt material & color	POM-NL K		mm	in		mm	in
Pin and lock material & color	PA6.6 N PP D		P (Nominal)	63.5	2.50	T	30.0 1.18
			L	15.0	0.59	-	- -

Non standard material and color: See uni Material and Color Overview.
 Alternative pin and lock systems and materials: Contact Customer Service.

Belt width		Permissible tensile force (Belt/pin material)				Belt weight (Belt/pin material)				*Min. No. drive sprocket per shaft	Number of wear strips (Min. No.)	
		POM-NL/PA6.6		POM-NL/SS		POM-NL/PA6.6		POM-NL/SS			**Carry (pcs)	**Return (pcs)
mm	in	N	lbf	N	lbf	kg/m	lb/ft	kg/m	lb/ft			
82***	3.2	7560	1699	8400	1888	2.6	1.75	3.4	2.30	2	2	2
101	4.0	9045	2033	10050	2259	3.1	2.09	4.1	2.76	2	2	2
201	7.9	18054	4059	20060	4510	6.2	4.18	8.2	5.50	2	2	2
301	11.8	27063	6084	30070	6760	9.3	6.26	12.3	8.25	3	3	2
401	15.8	36072	8109	40080	9010	12.4	8.35	16.4	10.99	3	3	2
501	19.7	45082	10134	50091	11260	15.5	10.44	20.4	13.73	4	4	2
601	23.7	54091	12160	60101	13511	18.6	12.52	24.5	16.48	5	5	3
701	27.6	63100	14185	70111	15761	21.7	14.61	28.6	19.22	5	5	3
801	31.5	72109	16210	80121	18011	24.8	16.69	32.7	21.97	6	6	3
901	35.5	81118	18235	90131	20261	27.9	18.78	36.8	24.71	7	7	4
1001	39.4	90127	20261	100141	22512	31.0	20.86	40.9	27.46	7	7	4
1102	43.4	99136	22286	110151	24762	34.1	22.95	44.9	30.20	8	8	4

Additional standard belt widths are available in steps of 100.1 mm (3.94 in). Additional non-standard belt widths are available in steps of 33.4 mm (1.31 in).

1902	74.9	171180	38481	190200	42757	59.0	39.63	77.6	52.15	13	13	7
------	------	--------	-------	--------	-------	------	-------	------	-------	----	----	---

Additional standard belt widths are available in steps of 100.1 mm (3.94 in). Additional non-standard belt widths are available in steps of 33.4 mm (1.31 in).


2903	114.3	261270	58733	290300	65259	90.0	60.48	118.4	79.60	20	20	10
------	-------	--------	-------	--------	-------	------	-------	-------	-------	----	----	----

General belt tolerance is +0/-0.4% at 23°C/73°F and 50% RH. For exact belt width contact Customer Service. Non standard belt width on request.

*Max. Load per Drive Sprocket. Belt material: POM-NL 12000 N (2698 lbf).

**Max. Spacing between wear strips, Carry: 152 mm (6 in); Return: 304 mm (12 in).

***Type: uni XLB M1 C.

 = Single Link



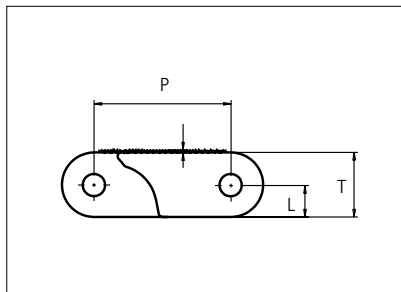
STANDARD

STRAIGHT RUNNING

PITCH 63.5 MM/2.50 IN

Plastic Modular Belt

Series **uni XLB** Type **M2 Rough**



Straight running belt
 Nominal pitch: 63.5 mm (2.50 in)
 Surface type: Rough Top
 Surface opening: Closed
 Backflex radius: 100.0 mm (3.90 in)
 Pin diameter: 10 mm (0.39 in)

Belt material & color	POM-NL K					
Pin and lock material & color	PA6.6 PP D					
		mm	in		mm	in
	P (Nominal)	63.5	2.50	T	30.0	1.18
	L	15.0	0.59	-	-	-

Non standard material and color: See uni Material and Color Overview.
 Alternative pin and lock systems and materials: Contact Customer Service.

Belt width		Permissible tensile force (Belt/pin material)				Belt weight (Belt/pin material)				*Min. No. drive sprocket per shaft	Number of wear strips (Min. No.)	
		POM-NL/PA6.6		POM-NL/SS		POM-NL/PA6.6		POM-NL/SS			**Carry (pcs)	**Return (pcs)
mm	in	N	lbf	N	lbf	kg/m	lb/ft	kg/m	lb/ft			
101	4.0	9045	2033	10050	2259	3.1	2.09	4.1	2.76	2	2	2
201	7.9	18054	4059	20060	4510	6.2	4.18	8.2	5.50	2	2	2
301	11.8	27063	6084	30070	6760	9.3	6.26	12.3	8.25	3	3	2
401	15.8	36072	8109	40080	9010	12.4	8.35	16.4	10.99	3	3	2
501	19.7	45082	10134	50091	11260	15.5	10.44	20.4	13.73	4	4	2
601	23.7	54091	12160	60101	13511	18.6	12.52	24.5	16.48	5	5	3
701	27.6	63100	14185	70111	15761	21.7	14.61	28.6	19.22	5	5	3
801	31.5	72109	16210	80121	18011	24.8	16.69	32.7	21.97	6	6	3
901	35.5	81118	18235	90131	20261	27.9	18.78	36.8	24.71	7	7	4
1001	39.4	90127	20261	100141	22512	31.0	20.86	40.9	27.46	7	7	4
1102	43.4	99136	22286	110151	24762	34.1	22.95	44.9	30.20	8	8	4
1202	47.3	108145	24311	120162	27012	37.3	25.03	49.0	32.95	9	9	5
1302	51.2	117155	26336	130172	29263	40.4	27.12	53.1	35.69	9	9	5

Additional standard belt widths are available in steps of 100.1 mm (3.94 in). Additional non-standard belt widths are available in steps of 33.4 mm (1.31 in).

1902	74.9	171180	38481	190200	42757	59.0	39.63	77.6	52.15	13	13	7
------	------	--------	-------	--------	-------	------	-------	------	-------	----	----	---

Additional standard belt widths are available in steps of 100.1 mm (3.94 in). Additional non-standard belt widths are available in steps of 33.4 mm (1.31 in).

2903	114.3	261270	58733	290300	65259	90.0	60.48	118.4	79.60	20	20	10
------	-------	--------	-------	--------	-------	------	-------	-------	-------	----	----	----

General belt tolerance is +0/-0.4% at 23°C/73°F and 50% RH. For exact belt width contact Customer Service. Non standard belt width on request.

*Max. Load per Drive Sprocket. Belt material: POM-NL 12000 N (2698 lbf).

**Max. Spacing between wear strips, Carry: 152 mm (6 in); Return: 304 mm (12 in).

= Single Link



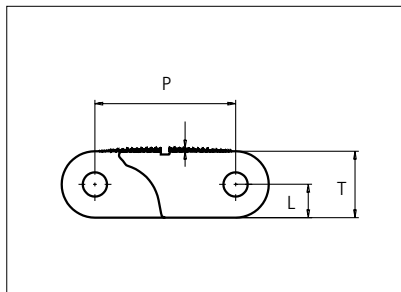
STANDARD

STRAIGHT RUNNING

PITCH 63.5 MM/2.50 IN

Plastic Modular Belt

Series **uni XLB** Type **M2 15% Rough**



Straight running belt
 Nominal pitch: 63.5 mm (2.50 in)
 Surface type: Rough Top
 Surface opening: 15%
 Backflex radius: 100.0 mm (3.90 in)
 Pin diameter: 10 mm (0.39 in)

Belt material & color	POM-NL K				
Pin and lock material & color	PA6.6 N PP D				
	mm	in		mm	in
P (Nominal)	63.5	2.50	T	30.0	1.18
L	15.0	0.59	-	-	-

Non standard material and color: See uni Material and Color Overview.
 Alternative pin and lock systems and materials: Contact Customer Service.

Belt width		Permissible tensile force (Belt/pin material)				Belt weight (Belt/pin material)				*Min. No. drive sprocket per shaft	Number of wear strips (Min. No.)	
		POM-NL/PA6.6		POM-NL/SS		POM-NL/PA6.6		POM-NL/SS			**Carry (pcs)	**Return (pcs)
mm	in	N	lbf	N	lbf	kg/m	lb/ft	kg/m	lb/ft			
101	4.0	9045	2033	10050	2259	3.1	2.09	4.1	2.76	2	2	2
201	7.9	18054	4059	20060	4510	6.2	4.18	8.2	5.50	2	2	2
301	11.8	27063	6084	30070	6760	9.3	6.26	12.3	8.25	3	3	2
401	15.8	36072	8109	40080	9010	12.4	8.35	16.4	10.99	3	3	2
501	19.7	45082	10134	50091	11260	15.5	10.44	20.4	13.73	4	4	2
601	23.7	54091	12160	60101	13511	18.6	12.52	24.5	16.48	5	5	3
701	27.6	63100	14185	70111	15761	21.7	14.61	28.6	19.22	5	5	3
801	31.5	72109	16210	80121	18011	24.8	16.69	32.7	21.97	6	6	3
901	35.5	81118	18235	90131	20261	27.9	18.78	36.8	24.71	7	7	4
1001	39.4	90127	20261	100141	22512	31.0	20.86	40.9	27.46	7	7	4
1102	43.4	99136	22286	110151	24762	34.1	22.95	44.9	30.20	8	8	4
1202	47.3	108145	24311	120162	27012	37.3	25.03	49.0	32.95	9	9	5
1302	51.2	117155	26336	130172	29263	40.4	27.12	53.1	35.69	9	9	5

Additional standard belt widths are available in steps of 100.1 mm (3.94 in). Additional non-standard belt widths are available in steps of 33.4 mm (1.31 in).

1902	74.9	171180	38481	190200	42757	59.0	39.63	77.6	52.15	13	13	7
------	------	--------	-------	--------	-------	------	-------	------	-------	----	----	---

Additional standard belt widths are available in steps of 100.1 mm (3.94 in). Additional non-standard belt widths are available in steps of 33.4 mm (1.31 in).

2903	114.3	261270	58733	290300	65259	90.0	60.48	118.4	79.60	20	20	10
------	-------	--------	-------	--------	-------	------	-------	-------	-------	----	----	----

General belt tolerance is +0/-0.4% at 23°C/73°F and 50% RH. For exact belt width contact Customer Service. Non standard belt width on request.

*Max. Load per Drive Sprocket. Belt material: POM-NL 12000 N (2698 lbf).

**Max. Spacing between wear strips, Carry: 152 mm (6 in); Return: 304 mm (12 in).

= Single Link



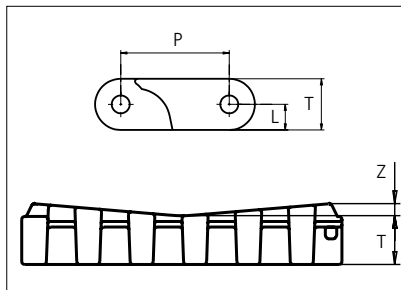
STANDARD

STRAIGHT RUNNING

PITCH 63.5 MM/2.50 IN

Plastic Modular Belt

Series **uni XLB** Type **M2 V8**



Straight running belt
 Nominal pitch: 63.5 mm (2.50 in)
 Surface type: V8
 Surface opening: Closed
 Backflex radius: 120.0 mm (4.72 in)
 Pin diameter: \varnothing 10 mm (0.39 in)

Belt material & color	POM-D K					
	Pin and lock material & color	PA6.6 PP D				
			mm	in		mm
	P (Nominal)	63.5	2.50	T	30.0	1.18
	L	15.0	0.59	Z	8.0	0.31

Non standard material and color: See uni Material and Color Overview.

Alternative pin and lock materials: Pin: SS304

Belt width		Permissible tensile force (Belt/pin material)				Belt weight (Belt/pin material)				*Min. No. drive sprocket per shaft	Number of wear strips (Min. No.)	
		POM-D/PA6.6		POM-D/SS		POM-D/PA6.6		POM-D/SS			**Carry (pcs)	**Return (pcs)
mm	in	N	lbf	N	lbf	kg/m	lb/ft	kg/m	lb/ft			
201	7.9	18090	4067	20100	4518	6.8	4.58	8.5	5.71	2	2	2
401	15.8	36104	8116	40115	9018	13.6	9.14	17.0	11.40	3	3	2
601	23.7	54117	12166	60130	13517	20.4	13.70	25.4	17.09	5	5	3
801	31.6	72131	16215	80146	18017	27.2	18.26	33.9	22.78	6	6	3

Additional standard belt widths are available in steps of 201 mm (7.91 in) Additional non-standard belt widths are available in steps of 33.4 mm (1.31 in).

General belt tolerance is +0/-0.4% at 23°C/73°F. For exact belt width contact Customer Service. Non standard belt width on request.

*Max. Load per Drive Sprocket. Belt material: POM-D 12000 N (2698 lbf).

**Max. Spacing between wear strips, Carry: 152 mm (6 in); Return: 304 mm (12 in).

= Single Link

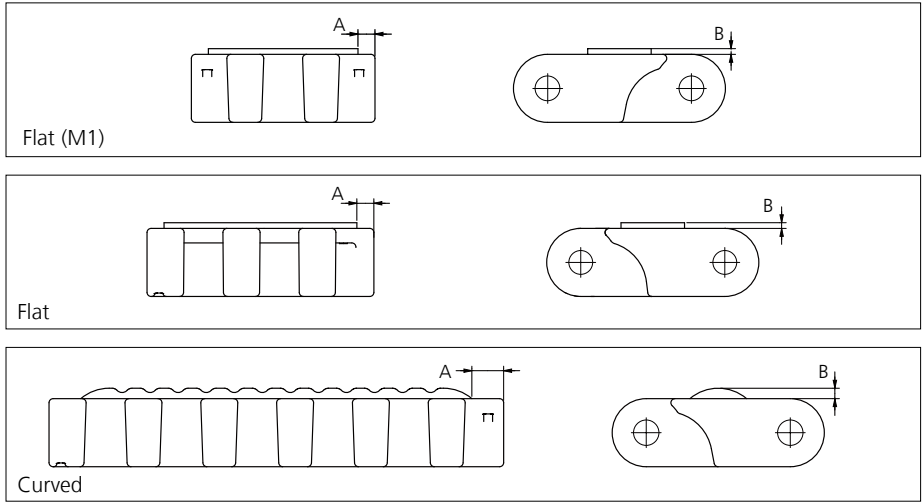
STANDARD

STRAIGHT RUNNING

PITCH 63.5 MM/2.50 IN

Accessories

Rubber Top

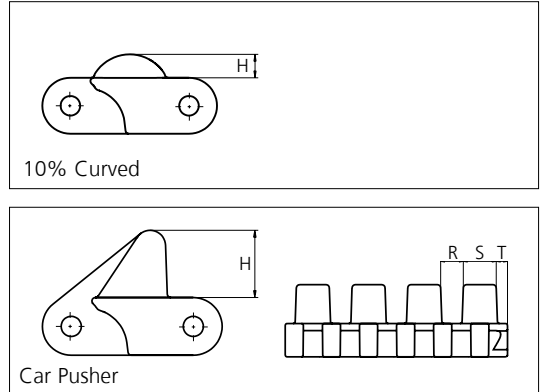


Type	Belt Material & color	Rubber Material & color	A		B		Link size	Width	
			mm	in	mm	in		mm	in
Flat	POM-NL K	05 K	7.5	0.3	2.5	0.10	K318	81.1	3.19
			7.5	0.3	2.5	0.10	K400	100.1	3.94
Curved			14.0	0.58	4.6	0.18	K800	200.2	7.88

Other Non Standard Rubber profiles: See uni Rubber Profile Overview.

Accessories

Flight



Type	Material & color	H		Link size	Width		R		S		T	
		mm	in		mm	in	mm	in	mm	in	mm	in
10% Curved	POM-D UV Y	12.5	0.49	K400	101.6	4.00	-	-	-	-	-	-
				K800	199.6	7.86	-	-	-	-	-	-
Car Pusher	POM-DK O	35.0	1.38	K800	199.6	7.86	18.1	0.71	32.0	1.26	9.0	0.35

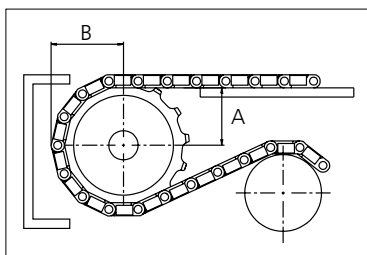
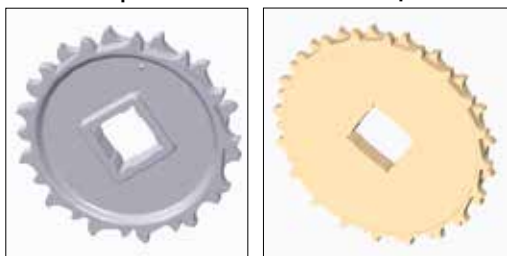
Non Standard material and color: See uni Material and Color Overview.

Sprocket

No. of teeth	Pilot Bore	Bore size										Overall diameter		Pitch diameter		Hub diameter		Dimension A		Dimension B		Single row/Two way	Double row/Two way	Molded PA6 LG	Machined PA6 N	
		in	0.75	0.78	0.98	1.00	1.18	1.25	1.50	1.57	2.36															2.5
		mm	19.1	20.0	25.0	25.4	30.0	31.8	38.1	40.0	60.0	63.5	90.0	mm	in	mm	in	mm	in	mm	in					
Z10	x							■	■	■	■	■	204.3	8.04	205.5	8.09	100.0	3.94	82.7	3.26	117.8	4.64		x	x	
Z13	x							■	■	■	■	■	264.4	10.41	265.4	10.45	150.0	5.91	113.8	4.48	147.7	5.81		x	x	
Z15	x							■	■	■	■	■	306.0	12.05	305.4	12.02	150.0	5.91	134.4	5.29	167.7	6.60		x	x	
Z20	x							■	■	■	■	■	408.0	16.06	406.0	15.98	360.0	14.07	185.5	7.30	218	8.58		x		x

■ Molded sprocket

■ Machined sprocket



Other sprocket sizes are available upon request.
 Two-part sprocket are available upon request.
 Round bores are always delivered with keyway.
 Other bore sizes are available upon request.
 uni Retainer Rings: See uni Retainer Ring data sheet
 Width of tooth = 16.0 mm (0.63 in)
 Width of sprocket = 33.0 mm (1.30 in)

Max load per sprocket shown does not take bore size into account.
 Please also ensure that sufficient size shaft is chosen for corresponding load.

For correct sprocket position: See uni Assembly Instructions for uni XLB.
 For more detailed sprocket information, contact Customer Service.

Non standard material and color: See uni Material and Color Overview.