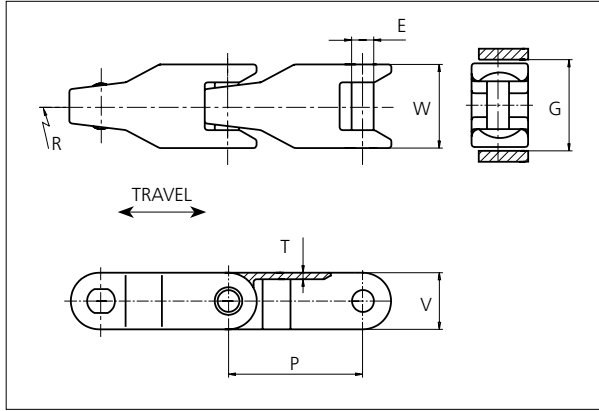


uni Flex Plastic Chain

Series **uni 2600** Type **C**



uni Flex Plastic Chain
 Side flexing chain
 Pitch: 63.5 mm (2.50 in)
 Backflex radius: 75.0 mm (3.00 in)
 Permissible tensile strength:
 POM material 6000 N (1686 lbf)

 Delivery: 6.1 m (20.0 ft)
 No. of links/box: 96

STANDARD

E		G		P		T		V	
mm	in	mm	in	mm	in	mm	in	mm	in
11.0	0.43	44.5	1.75	63.5	2.50	3.5	0.14	28.4	1.12

All dimensions are for chains in POM material.

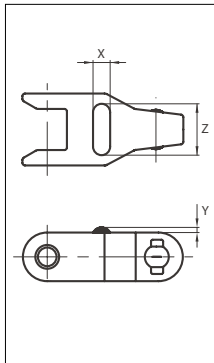
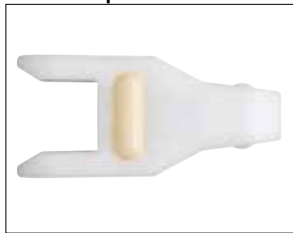
Width (W)		Material & color	Pin material	Weight		Min. radius (R)	
mm	in			kg/m	lb/ft	mm	in
42.0	1.65	POM-D W G B	SS304	1.4	0.94	600.0	23.62

Non standard material and color: See uni Material and Color Overview.
 Non standard pin material: See uni Material and Color Overview.

SIDE FLEXING

Accessories

Rubber Top/NON STANDARD



Link material	Rubber material	Z		X		Y	
		mm	in	mm	in	mm	in
POM-D W	05 I	30.0	1.18	10.0	0.39	3.0	0.12

When ordering, please state the required distance between the Rubber Top.

Other Non Standard rubber profiles:
 See uni Rubber Profile Overview.

PITCH 63.5 MM/2.50 IN

Sprocket

No of teeth	Pitch diameter		Overall-diameter		Min. ϕ bore		Max. ϕ bore		Hub-diameter		A-dimension		B-dimension		PA66 LG	Cast iron	SS304
	mm	in	mm	in	mm	in	mm	in	mm	in	mm	in	mm	in	Molded	Molded	Machined
Z6	127.0	5.00	128.0	5.04	20.0	0.79	40.0	1.57	63.0	2.48	40.8	1.61	78.1	3.07	x	x	
Z8	165.9	6.53	168.9	6.65	20.0	0.79	50.0	1.97	73.5	2.89	62.5	2.46	97.5	3.84	x	x	x
Z10	205.5	8.09	210.5	8.29	20.0	0.79	50.0	1.97	73.5	2.89	83.5	3.29	117.2	4.61	x	x	
Z11	225.4	8.87	231.4	9.11	20.0	0.79	50.0	1.97	73.5	2.89	93.9	3.70	127.1	5.00	x	x	

Non standard material and color:
See uni Material and Color Overview.

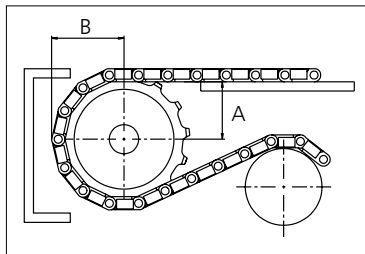
Machined sprocket



Cast iron sprocket



SS304 sprocket



Please ensure that sufficient size shaft and keyway are chosen for corresponding load.

Other sprocket sizes are available upon request

Width of tooth: 11.0 mm/0.43 in

Width of sprocket: 42.3 mm/1.66 in

uni Retainer Rings: See uni Retainer Ring data sheet