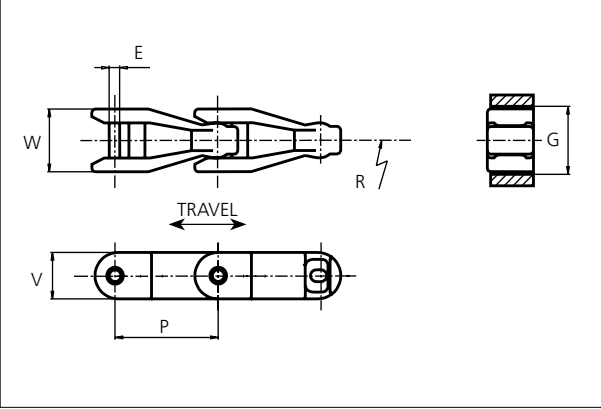


uni Flex Plastic Chain

Series **uni 2800**



uni Flex Plastic Chain
 Side flexing chain
 Pitch: 82.5 mm (3.25 in)
 Backflex radius:
 75.0 mm (2.90 in)
 Permissible tensile strength:
 POM material:
 6000 N (1349 lbf)

 Standard shipping lengths:
 boxes of 74 links
 = 6.105 m (20.0 ft)

STANDARD

E		G		P		V	
mm	in	mm	in	mm	in	mm	in
9.5	0.37	54.0	2.13	82.5	3.25	37.3	1.47

All dimensions are for chains in POM material.

Width (W)		Material & color	Pin material	Weight		Min. radius (R)	
mm	in			kg/m	lb/ft	mm	in
53.5	2.11	POM-D W	SS304	1.6	1.09	500	19.69

Non standard material and color: See uni Material and Color Overview.
 Non standard pin material: See uni Material and Color Overview.

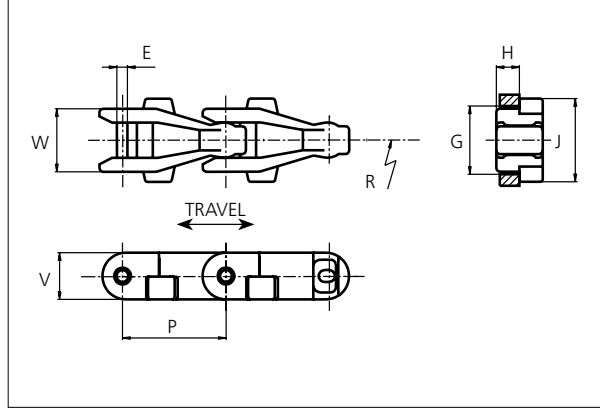
SIDE FLEXING

PITCH 82.5 MM/3.25 IN



uni Flex Plastic Chain

Series **uni 2800** Type **Tab**



uni Flex Plastic Chain

Side flexing chain
 Pitch: 82.5 mm (3.25 in)
 Backflex radius:
 75.0 mm (2.90 in)
 Permissible tensile strength:
 POM material:
 6000 N (1349 lbf)

 Standard shipping lengths:
 boxes of 74 links
 = 6.105 m (20.0 ft)

STANDARD

E		G		H		J		P		V	
mm	in	mm	in	mm	in	mm	in	mm	in	mm	in
9.5	0.37	54.0	2.13	18.1	0.71	67.4	2.65	82.5	3.25	37.3	1.47

All dimensions are for chains in POM material.

Width (W)		Material & color	Pin material	Weight		Min. radius (R)	
mm	in			kg/m	lb/ft	mm	in
53.5	2.11	POM-D W	SS304	1.7	1.14	500	19.69

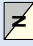
Non standard material and color: See uni Material and Color Overview.
 Non standard pin material: See uni Material and Color Overview.

UNI FLEX PLASTIC CHAIN

PITCH 82.5 MM/3.25 IN

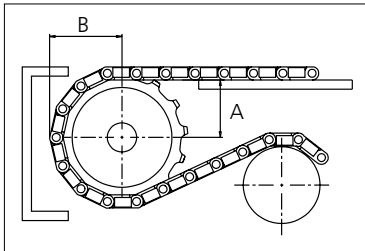


Sprocket

No of teeth	Pitch diameter		Overall-diameter		Min. ø bore		Max. ø bore		Hub-diameter		Dimension A		Dimension B		 Machined PA6
	mm	in	mm	in	mm	in	mm	in	mm	in	mm	in	mm	in	
Z6	165.0	6.50	168.0	6.60	20.0	0.80	40.0	1.60	63.0	2.50	53.0	2.10	101.0	4.00	✓
Z8	215.6	8.49	224.0	8.80	20.0	0.80	50.0	2.00	73.5	2.90	81.1	3.20	126.3	5.00	✓
Z10	267.0	10.51	277.0	10.90	20.0	0.80	50.0	2.00	73.5	2.90	108.5	4.30	152.0	6.00	✓

Machined sprocket

Non standard material and color:
See uni Material and Color Overview.



Please ensure that sufficient size shaft and keyway are chosen for corresponding load.

Other sprocket sizes are available upon request
 Width of tooth: 15.0 mm/0.59 in
 Width of sprocket: 42.3 mm/1.67 in
 uni Retainer Rings: See uni Retainer Ring data sheet



Conveyor Belts



Seamless Belts



Modular Belts

This information is subject to alteration due to continuous development. uni-chains will not be held liable for the incorrect use of the above stated information. This information replaces previous information. All activities performed and services rendered by uni-chains are subject to general terms and conditions of sale and delivery, as applied by its operating companies.